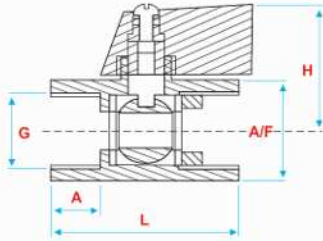


N 401

MINI BALL VALVE

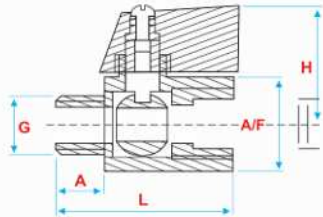
DN	8	10
SIZE	¼"	¾"
A	9	11
A/F	19	19
G	¼"	¾"
H	28	28
L	37	41



N 402

M/F MINI BALL VALVE

DN	8	10
SIZE	¼"	¾"
A	10	12
A/F	19	19
G	¼"	¾"
H	28	28
L	43	45



Our Range Of Products

- Brass ball valve - Brass check valve
- S.S. Ball valve
- Cast iron industrial valve

Santoshi Engineering Works
 ALL TYPE OF VALVES
 RAJKOT - 360 002 (Gujarat) INDIA. E-mail : santoshi.valve@gmail.com



FORGED BRASS BALL VALVE



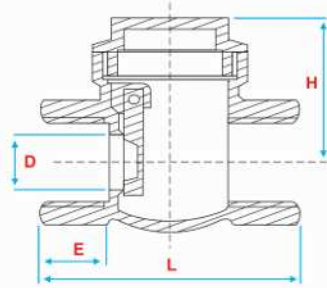
*Range of Quality
 Precision & Valves*

**N
201**

BRASS CHECK VALVE (HORIZONTAL)

FULL BORE

DN	15	25
SIZE	½"	1"
D	15	24
L	63	82
H	34	44
E	14	17

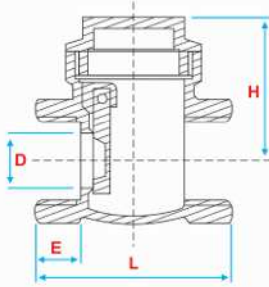


**N
202**

BRASS CHECK VALVE (HORIZONTAL)

REGULAR

DN	15	20	25
SIZE	½"	¾"	1"
D	13.5	18	22
L	45	49	59
H	33	37	40
E	11	14	19

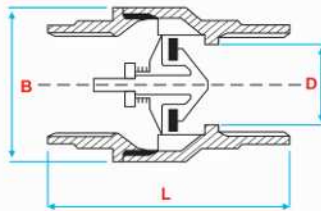


**N
301**

BRASS CHECK VALVE (VERTICAL)

LONG

DN	15	25	40
SIZE	½"	1"	1 ½"
D	17	26	40
L	60	74	88
B	36	48	72

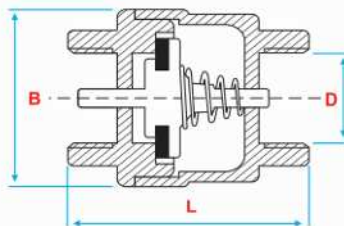


**N
302**

BRASS CHECK VALVE (VERTICAL)

REGULAR

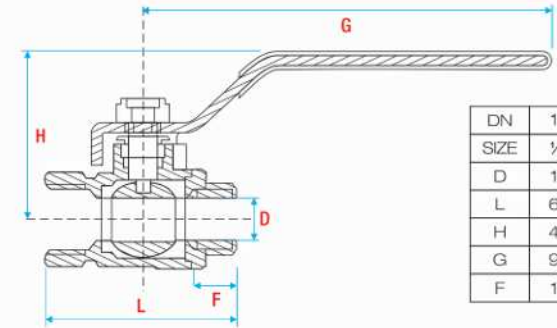
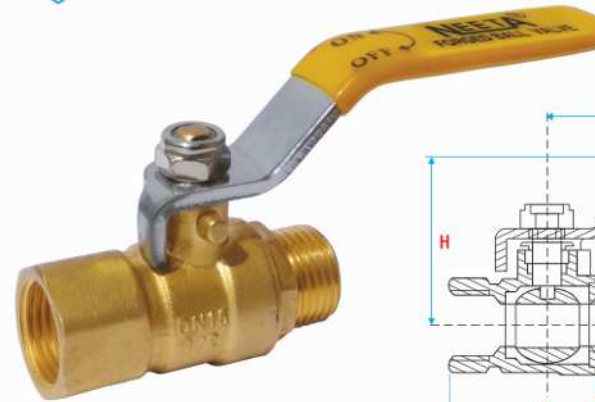
DN	25
SIZE	1"
D	28
L	57
B	45



**N
101**

M/F BRASS BALL VALVE

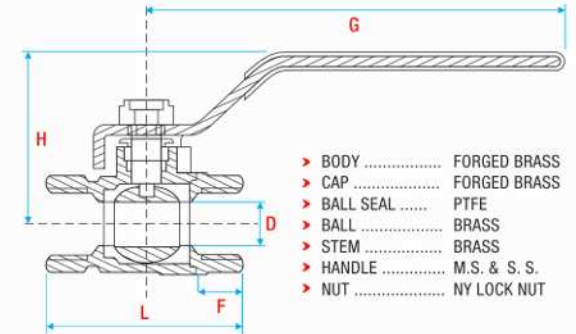
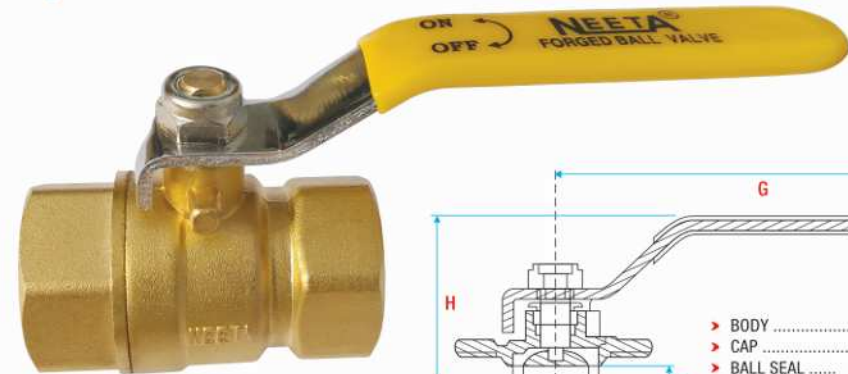
NEETA®
FORGED BRASS BALL VALVE



DN	15
SIZE	½"
D	14
L	62
H	43
G	98
F	13

**N
102**

BRASS BALL VALVE



- > BODY FORGED BRASS
- > CAP FORGED BRASS
- > BALL SEAL PTFE
- > BALL BRASS
- > STEM BRASS
- > HANDLE M.S. & S. S.
- > NUT NY LOCK NUT

DN	10	15	20	25	32	40	50
SIZE	⅜"	½"	¾"	1"	1 ¼"	1 ½"	2"
D	9	14	19	23	31	36	46
L	49	63	68	77	87	97	113
H	30	43	51	62	70	73	77
G	88	98	102	134	155	160	160
F	12	17	19	22	20	22	24